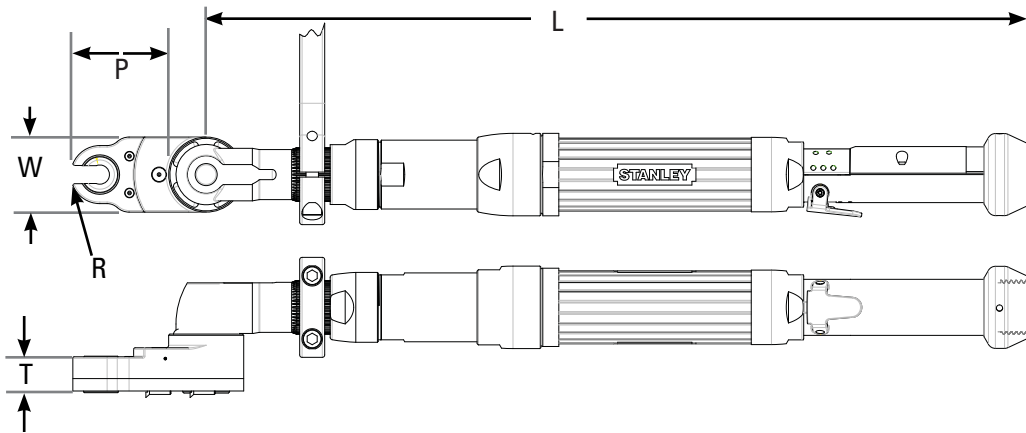


## Angle Tubenut Lever Tools (5 to 102 Nm)

### Angle Tubenut Options



2-Hand Anti-Tiedown Switch		Part No.
E34/44/54 Tools		20K400001
EA Tools		Add TH
Suspension Bails ***		Part No.
Swivel (Horizontal)		20K200000
Standard (Vertical)		A3061
Reaction Devices		Part No.
Reaction Bar		20K100000
Mounting Flange		20K100300
Base Mount Bracket		20K100500
Handle Options		Part No.
EA3 Rubber Grip		20H207910
E2/3/4/5 Rubber Grip		20H207207
EA3 Front Facing Lever		20H100008
E3 Front Facing Lever		20H100005
E4/5 Front Facing Lever		20H100105
Motor Options		Part No.
E3 Tool Cooling Fan Kit		20M102600

Model	Rated Speed		Torque		"R" Nose Radius		"T" Thickness		"W" Width		"P" Length		"L" Length		Weight		Maximum Hex Size		Maximum Tube Size	
	RPM	Nm	lb ft	mm	in	mm	in	mm	in	mm	in	mm	in	kg	lb	mm	in	mm	in	
E33LT346-25	1050	25	18.4	13	0.52	14	0.54	42	1.66	34	1.34	545	21.5	2.3	5.1	13	1/2"	9.3	0.365	
EA33LT346-25	1105	25	18.4	13	0.52	14	0.54	42	1.66	34	1.34	511	20.1	4.8	10.6	13	1/2"	9.3	0.365	
E33LT349-25	1050	25	18.4	13	0.52	14	0.54	42	1.66	56	2.19	565	22.3	4.8	10.6	13	1/2"	9.3	0.365	
E33LT358-25*†	1050	25	18.4	13	0.52	14	0.54	42	1.66	34	1.34	545	21.5	2.3	5.1	13	1/2"	9.3	0.365	
EA33LT408-25 <sup>x</sup>	885	25	18.4	13	0.52	14	0.54	42	1.66	25	0.97	473	18.6	1.9	4.2	13	1/2"	9.3	0.365	
E33LT513-25	1050	25	18.4	13	0.52	14	0.54	42	1.66	56	2.19	565	22.3	4.8	10.6	13	1/2"	9.3	0.365	
E33LT74-30	765	30	22.1	18	0.73	14	0.56	48	1.88	44	1.72	557	21.9	2.6	5.7	18	11/16"	11.6	0.455	
EA33LT74-30	805	30	22.1	18	0.73	14	0.56	48	1.88	44	1.72	517	20.4	4.8	10.6	18	11/16"	11.6	0.455	
E33LT164-30*	765	30	22.1	18	0.73	14	0.56	48	1.88	47	1.86	557	21.9	4.8	10.6	18	11/16"	11.6	0.455	
E33LT527-30	750	30	22.1	18	0.73	16	0.63	48	1.88	16	0.64	528	21.1	4.8	10.6	19	3/4"	11.6	0.455	
E33LT368-41‡	365	41	30.2	13	0.52	21	0.85	44	1.72	59	2.33	574	22.6	4.8	10.6	13	1/2"	9.3	0.365	
E33LT375-41	365	41	30.2	13	0.52	21	0.85	44	1.72	59	2.33	573	22.5	4.8	10.6	13	1/2"	9.3	0.365	
E33LT549-41 <sup>x</sup>	365	41	30.2	13	0.52	21	0.85	44	1.72	59	2.33	574	22.6	4.8	10.6	13	1/2"	9.3	0.365	
E34LT23-41	495	41	30.2	18	0.73	23	0.91	48	1.88	44	1.72	590	23.3	3.6	7.9	18	11/16"	11.6	0.455	
EA34LT23-41	605	41	30.2	18	0.73	23	0.91	48	1.88	44	1.72	575	22.7	4.8	10.6	18	11/16"	11.6	0.455	
E34LT253-46*	515	46	33.9	26	1.04	16	0.64	75	2.94	65	2.55	598	23.6	4.8	10.6	27	1-1/16"	19.4	0.765	
E34LT99-46	430	46	33.9	26	1.04	19	0.77	75	2.94	65	2.55	598	23.6	3.9	8.6	27	1-1/16"	19.4	0.765	
E34LT99-62	385	62	45.7	26	1.04	19	0.77	75	2.94	65	2.55	620	24.4	3.9	8.6	27	1-1/16"	19.4	0.765	
EA34LT99A-62	400	62	45.7	26	1.04	19	0.77	75	2.94	65	2.55	604	24.8	4.8	10.6	27	1-1/16"	19.4	0.765	
E34LT116-62* †	385	62	45.7	26	1.04	19	0.77	75	2.94	65	2.55	598	23.6	4.8	10.6	27	1-1/16"	19.4	0.765	
EA34LT116A-62* †	400	62	45.7	26	1.04	19	0.77	75	2.94	65	2.55	604	23.8	4.8	10.6	27	1-1/16"	19.4	0.765	
E34LT99-67	285	67	49.4	26	1.04	19	0.77	75	2.94	65	2.55	620	24.4	4.8	10.6	27	1-1/16"	19.4	0.765	
E44LT20-102	375	102	75.2	26	1.04	32	1.25	75	2.94	65	2.55	604	24.8	4.8	10.6	27	1-1/16"	19.4	0.765	

\* Reverse Rotation

† Socket on Top

<sup>x</sup> Indexable Foot

Check the symbols to ensure the correct tool is chosen for the application. Tubenuts are designed to be used with the socket on the bottom (base plate side) or on the top (angle head side) and in Clockwise or Counter-clockwise (Reverse) rotation. Tools without symbols have the socket on the bottom and run clockwise.

STANLEY Assembly Technologies has designed Tubenut and Crowfoot outputs for over 50 years. Contact STANLEY Assembly Technologies if you would like one designed for your specific application.