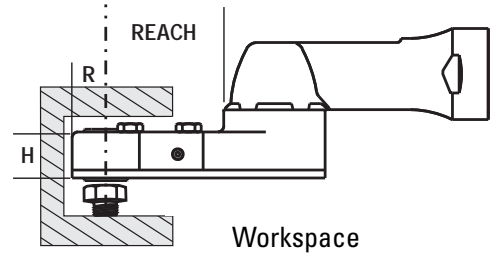
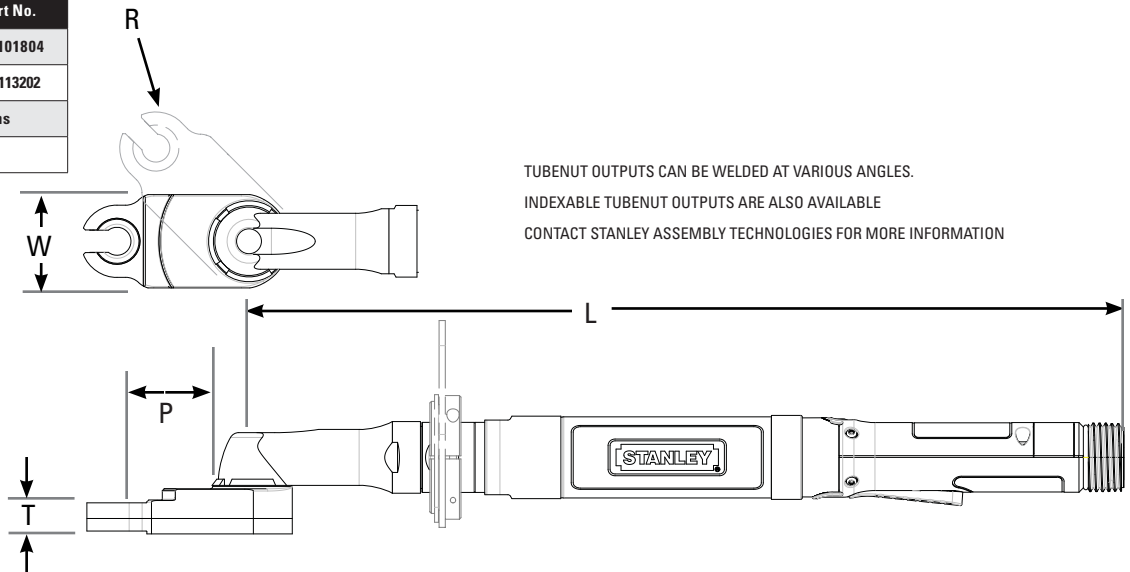


Angle Tubenut Lever Tools (2.8 to 22 Nm)



Angle Tubenut Options

Suspension Bails	Part No.
E12 Wire Bail	A3061
E12 Swivel Bail Assembly	20K101402
E23 Swivel Bail	20K101400
E23 Standard Wire Bail	B3432
2-Hand Anti-Tiedown	Part No.
E23 Tools	20G100104
Handle Options	Part No.
E12 Rubber Grip	20H207910
E12 Extended Lever Assembly	20H102201
E12 Heavy Duty Cable Adapter	20H103100
E2/3/4/5 Rubber Grip	20H207207
E2/3 Front Facing Lever	20H100005
Other Options	Part No.
E12 LED Flexible Light Kit	20K101804
E12 LED Stationary Light Kit	20S113202
See Page 176 for Tubenut Vinyl Cover Options	
See Page 151 for Tubenut Socket Selection	



Model	Rated Speed		Torque		"R" Nose Radius		"T" Thickness		"W" Width		"P" Length		"L" Length		Weight		Maximum Hex Size		Maximum Tube Size	
	RPM	Nm	lb ft	mm	in	mm	in	mm	in	mm	in	mm	in	kg	lb	mm	in	mm	in	
E23LT74-14	750	14	10.3	18	0.73	14	0.56	48	1.88	44	1.72	532	20.9	2.5	5.4	18	11/16"	11.6	0.455	
E12LT224-15	595	15	11	13	0.51	13	0.52	32	1.26	50	1.97	364	14.3	2.5	5.4	11	7/16"	7.4	0.29	
E23LT280-15	500	15	11	13	0.51	13	0.52	32	1.26	50	1.97	560	22.0	2.5	5.4	11	7/16"	7.4	0.29	
E23LT224-20	500	20	14.8	13	0.51	13	0.52	32	1.26	50	1.97	517	20.3	2.5	5.4	11	7/16"	7.4	0.29	
E23LT282-20*	500	20	14.8	13	0.51	13	0.52	32	1.26	50	1.97	516	20.3	2.5	5.4	11	7/16"	7.4	0.29	
E23LT346-21	490	21	15.5	13	0.52	14	0.54	42	1.66	34	1.34	520	20.5	2.5	5.4	13	1/2"	9.3	0.365	
E23LT74-22	410	22	16.2	18	0.73	14	0.56	48	1.88	44	1.72	532	20.9	2.5	5.4	18	11/16"	11.6	0.455	

* Reverse Rotation

‡ Socket on Top

Check the symbols to ensure the correct tool is chosen for the application. Tubenuts are designed to be used with the socket on the bottom (base plate side) or on the top (angle head side) and in Clockwise or Counter-clockwise (Reverse) rotation. Tools without symbols have the socket on the bottom and run clockwise.

STANLEY Assembly Technologies has designed Tubenut and Crowfoot outputs for over 50 years. Contact STANLEY Assembly Technologies if you would like one designed for your specific application.